
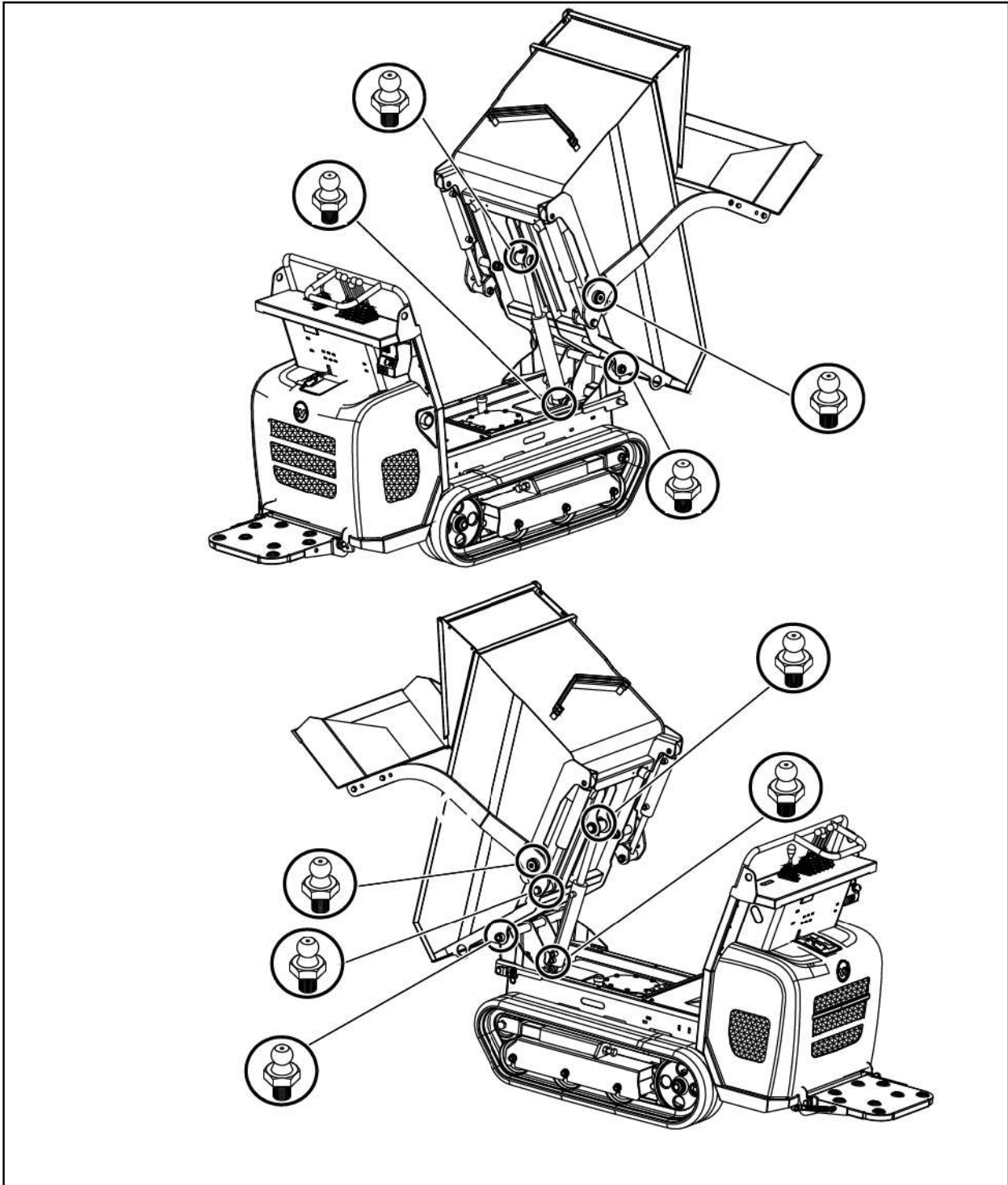




5.12 Lubrication plan DT08 with skip

Explanation	Symbol
Grease zerks	



5.13 Lubrication plan DT08 with high tip skip (optional)

Explanation	Symbol
Grease zerks	